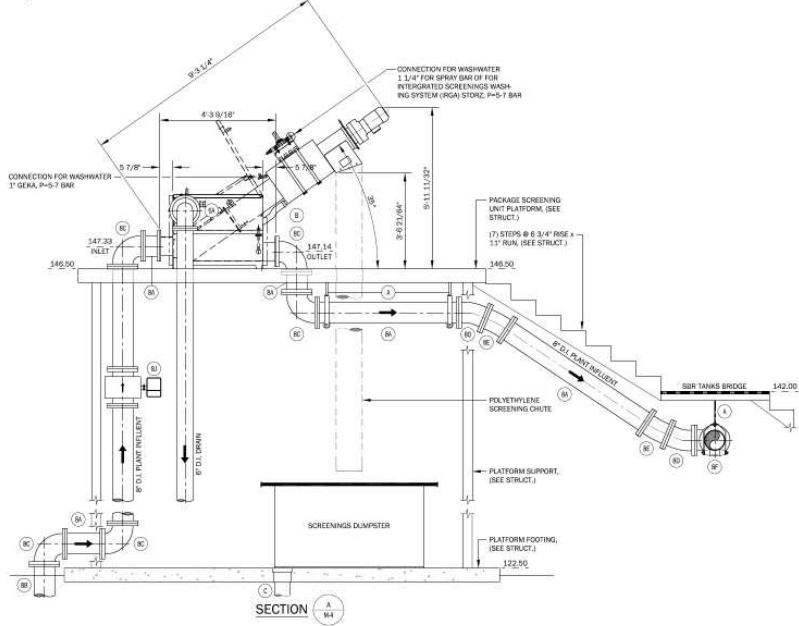


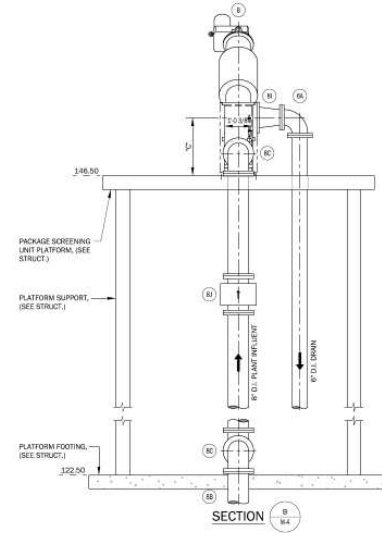
PLAN VIEW



SECTION A-A

- NOTES:
1. ALUMINUM HANDRAILS NOT SHOWN ON SECTION VIEWS DUE TO CLARITY, (SEE STRUCT.)
 2. COORDINATE PLACEMENT OF 1"X3 LINE FOR SCREEN WITH MANUFACTURER.
 3. SEE WARD PIPING PLANS FOR LOCATIONS OF EXISTING HOSE BIBBS & TAPS.

- LEGEND
- (A) 8" D.I. FL. 90° BEND
 - (B) 8" D.I. FL. SPOOL PIECE
 - (C) 8" D.I. FL. P.E. SPOOL PIECE
 - (D) 8" D.I. FL. 90° BEND
 - (E) 8" D.I. FL. 22 1/2° BEND
 - (F) 8" D.I. FL. 11 1/4° BEND
 - (G) 8" D.I. FL. TEE
 - (H) 8" D.I. FL. BUTTERFLY VALVE
 - (I) 8" D.I. FL. CHECK VALVE
 - (J) 8" D.I. FL. REDUCER
 - (K) 8" D.I. FL. MAG METER
 - (L) PIPE HANGER
 - (M) PACKAGE SCREENING UNIT
 - (N) 6" SCH. 80 PVC FLOOR DRAIN



SECTION B-B

SCREEN DETAILS

SCALE: 1/2" = 1'-0"

DISCLAIMER

These drawings and the information contained herein are for general informational purposes only and are not intended, nor should be used, for engineering design plans.